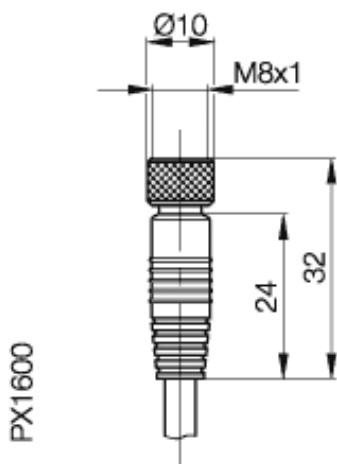


## Accessories: Connectors BKS-B 48-1-



### Common Data

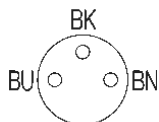
Version	Connector, straight, 3-pins
Usable with	on Sensors with connection S4 (NO / NC, M8)
Ambient temperature	-20°C...+85°C

### Mechanical Data

Material	PVC / PUR
Protection class per IEC 60529	IP67
Cable version	molded-on
Conductor cross section	3x0,25

### Electrical Data

Supply voltage	60 AC/75DC
----------------	------------



Datasheet number::

Definitions see general catalog.  
If not otherwise noted, ratings according to  
IEC 60947-5-2 (DIN EN60947-5-2)

Balluff GmbH  
Schurwaldstrasse 9  
73765 Neuhausen a.d.F.  
Phone (07158) 173-0 Fax (07158) 5010

Datenblatt by CD-ROM - 04/2007

**BALLUFF**  
sensors worldwide